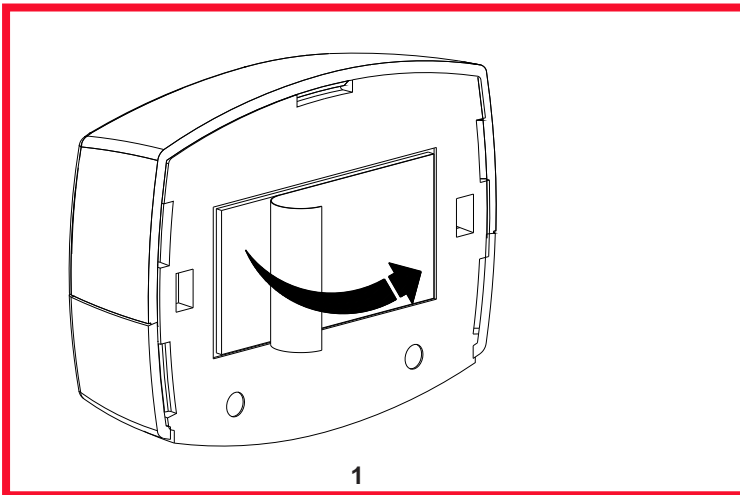
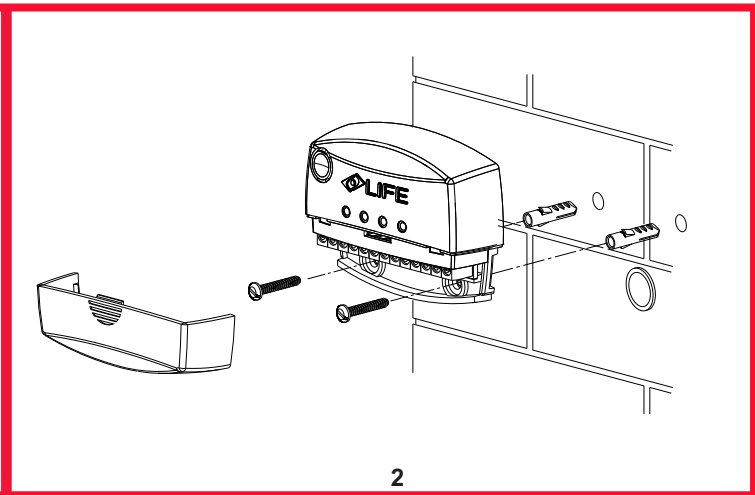


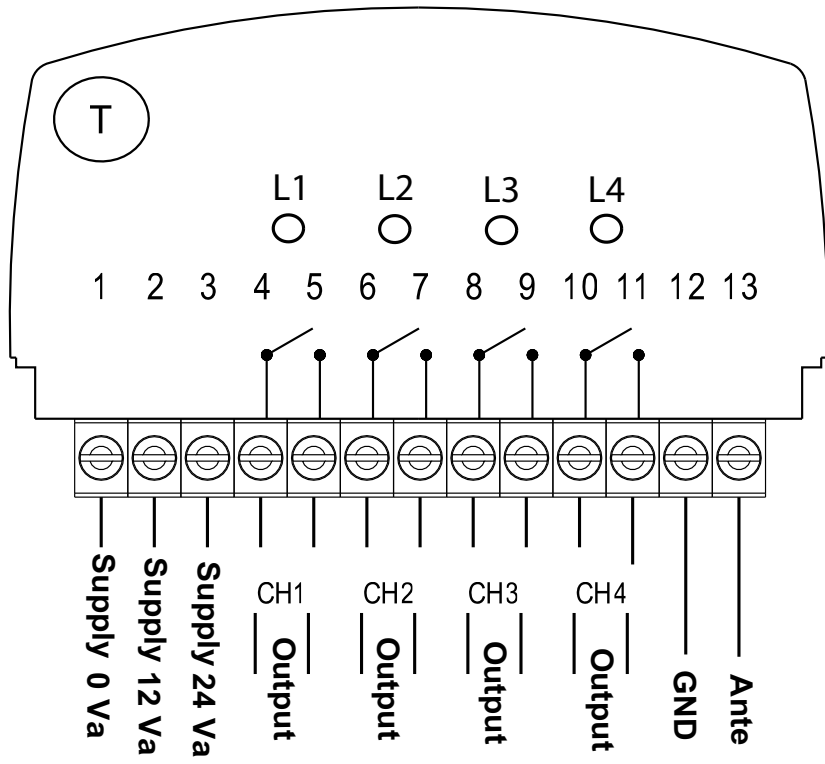
## Radio receiver



1



2



Terminal	Led	Description	
1 - 2		Supply	12 V a.c. / D.c.
1 - 3		Supply	24 V a.c. / D.c.
4 - 5	L1	Channel 1	Output 1° Relay, contact N.O. (Normally Opened)
6 - 7	L2	Channel 2	Output 2° Relay, contact N.O. (Normally Opened)
8 - 9	L3	Channel 3	Output 3° Relay, contact N.O. (Normally Opened)
10 - 11	L4	Channel 4	Output 4° Relay, contact N.O. (Normally Opened)
12		GND Antenna	
13		Antenna	

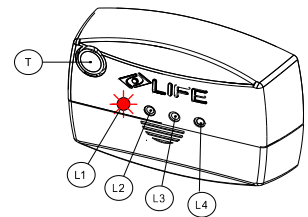
## DECODER CONFIGURATION

The receiver has 4 channels with independent relays that can be programmed N.O. Each single relay can be configured in 4 different modes:

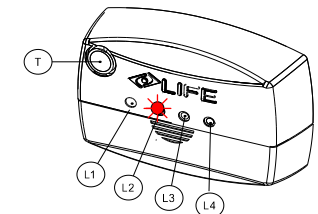
Ⓣ = Button **T**

Ⓛ1 = Relais 1 Ⓛ2 = Relais 2 Ⓛ3 = Relais 3 Ⓛ4 = Relais 4

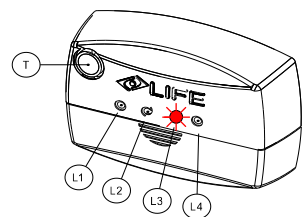
**Impulsive (monostable):** relay is active during all the session  
Press button **T** until the related LED is on, and memorise transmitter within 15". LED will flash once when memory is effective.  
To exit, press button **T** repeatedly until all LEDs are off, or wait 15".



**Step-by-step (bistable):** relay is active when it receives the command, and desactivates at next command. Press button **T** until the related LED is on, and keep **T** button pressed, and memorise transmitter within 15". LED will flash once when memory is effective. To exit, press button **T** repeatedly until all LEDs are off, or wait 15".

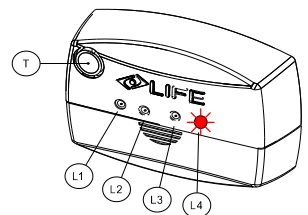


**Brief temporizing:** The relay is active when it receives the command, and remains active for approximately 30". If a further command is given, counting time re-starts. Press button **T** until the related LED is on. With red LED on, press button **T** and keep pressed for 5" until LED slowly flashes.  
Memorise transmitter within 15".



All LEDs will flash when memory is effective. To exit, press button **T** repeatedly until all LEDs are off, or wait 15".

**Long temporizing:** The relay is active when it receives the command, and remains active for approximately 3'. If a further command is given, counting time re-starts. Press button **T** until the related LED is on. Press button **T** and keep pressed for 5" until LED slowly flashes. Keep **T** button pressed and then memorise transmitter within 15". All LEDs will flash when memory is effective. To exit, press button **T** repeatedly until all LEDs are off, or wait 15".





## SINGLE TRANSMITTER DELETE

Press T button thoroughly until LEDS flash quickly. Press transmitter that must be deleted within 15". All LEDS will turn off when delete is effective.

N.B.

On FAST R1E led L1 will flash. On FAST R2E led L1-L2 will flash.

On FAST R4E all leds (L1-L2-L3-L4) will flash.

## TOTAL MEMORY DELETE

Press T button thoroughly until LEDS flash quickly.

Release and re-press T button, LED will flash slowly in a alternative way.

All LEDS will turn off when delete is effective.

N.B.

On FAST R1E led L1 will flash. On FAST R2E led L1-L2 will flash.

On FAST R4E all leds (L1-L2-L3-L4) will flash.

---

## TECHNICAL DATA

<b>Radio receiver</b>	
Power 12 / 24 Vac	12 / 24 Vac - Vdc
Power	Minimum absorption 20 mA / maximum 100 mA
Contact relays	normally opened - maximum 50V 0,5A
N° channels (relais)	4
Working temperature	-20 ÷ +70 °C
Protection degree	30
Memory (n°codes)	750





# MANUFACTURER'S DECLARATION OF CE CONFORMITY



under Directive 98/37/CE, appendix II, part B  
(manufacturer's declaration of CE conformity)

**LIFE home integration S.r.l.**  
**Via Sandro Pertini 3/5**  
**31014 COLLE UMBERTO (TV) – Italia**

declares that the following product:

**Decoder for keyboard selector**

**FAST R1E - FAST R2E - FAST R4E**

**satisfies the essential requisites  
established in the following directives:**

- Machinery 98/37/CE (ex 89/392/CEE) and successive modifications,
- Low voltage directive 73/23/EEC and subsequent amendments,
- Electromagnetic compatibility directive 89/336/EEC and subsequent amendments

**and satisfies the following standards:**

EN 12445:2000 - EN 12453:1998 -  
EN 954-1:1998

COLLE UMBERTO

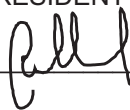
Name of bearer:

Michele Rui

Qualified as:

PRESIDENT

Firma:





Address: Via Sandro Pertini,3/5 31014 COLLE UMBERTO (TV) Italia

Telephone: + 39 0438 388592  
Telefax: + 39 0438 388593  
http: [www.homelife.it](http://www.homelife.it)  
e-mail: [info@homelife.it](mailto:info@homelife.it)

